

FL 12~25



ISO 11901-2



VDI 3003

This series includes the models compliant with automotive standards /
Bu seriyedeki parçalar aşağıdaki otomotiv standartlarını karşılamaktadır

BMW	B2 4009	MB	B8 0134 400 008 801
FCA	075.90.75	PSA	E24.54.815.G
Ford	W-DX35-80M	VW	39D 848

Collar flange / Yaka flanş

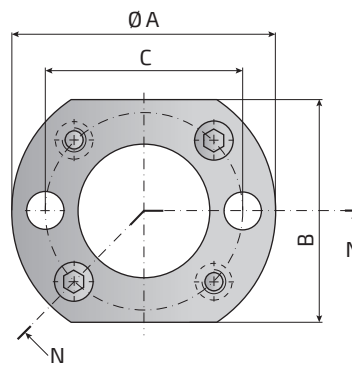
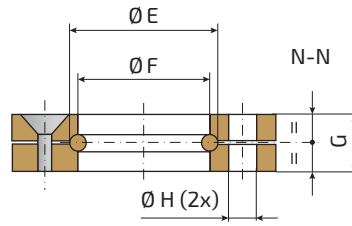


FIG. 1

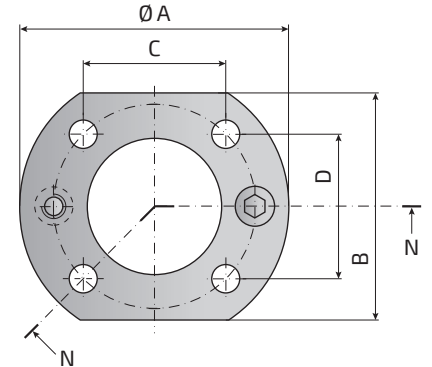
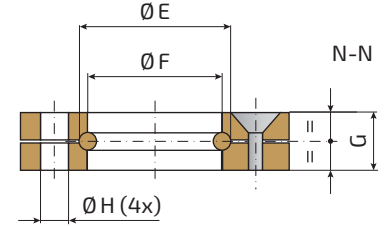
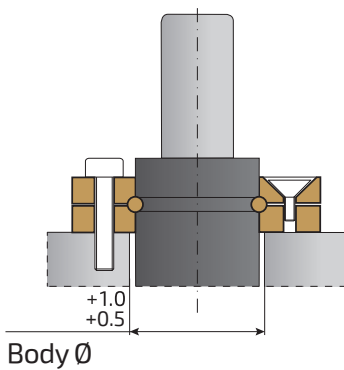


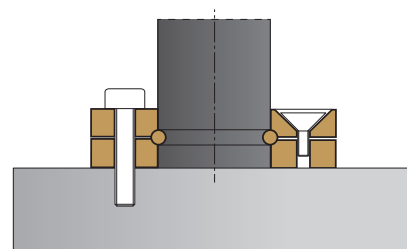
FIG. 2

Model Model	Reference to Standards Referans standart	For models... Modeller için...	Ø A mm	B mm	C mm	D mm	Ø E mm	Ø F mm	G mm	Ø H mm	FIG.
FL 12	-	VGS50	34	21	24	-	13.6	12.5	9	6.6	1
15	-	VGS70	37	24	27	-	16.6	15.5	9	6.6	1
19 A	VDI 3003	AGS170, VGS90, VV170	44	25	32	-	21	19.5	9	6.6	1
19 B	ISO 11901-2	AGS170, VGS90, VV170	44	25	30	12	21	19.5	9	6.6	2
25 A	VDI 3003	AGS320, TGS400, VGS200, VV320-63/63H	50	30	38	-	27	25.5	9	6.6	1
25 B	ISO 11901-2	AGS320, TGS400, VGS200, VV320-63/63H	50	30	34	18	27	25.5	9	6.6	2

Fixing possibilities / Montaj olasılıkları



Body Ø



(For VGS200 and TGS400 models only)
(Sadece VGS200 ve TGS400 modelleri için)